

Process Booklet #6

TECTONICS

WOOD CONTRUCTION - ANALYSE
CHIDORI
INTER LOCKING CONTRUCTION SYSTEM

3 PARTS IN ONE JOINT





WOOD CONTRUCTION - ANALYSE
2 FIRST PARTS

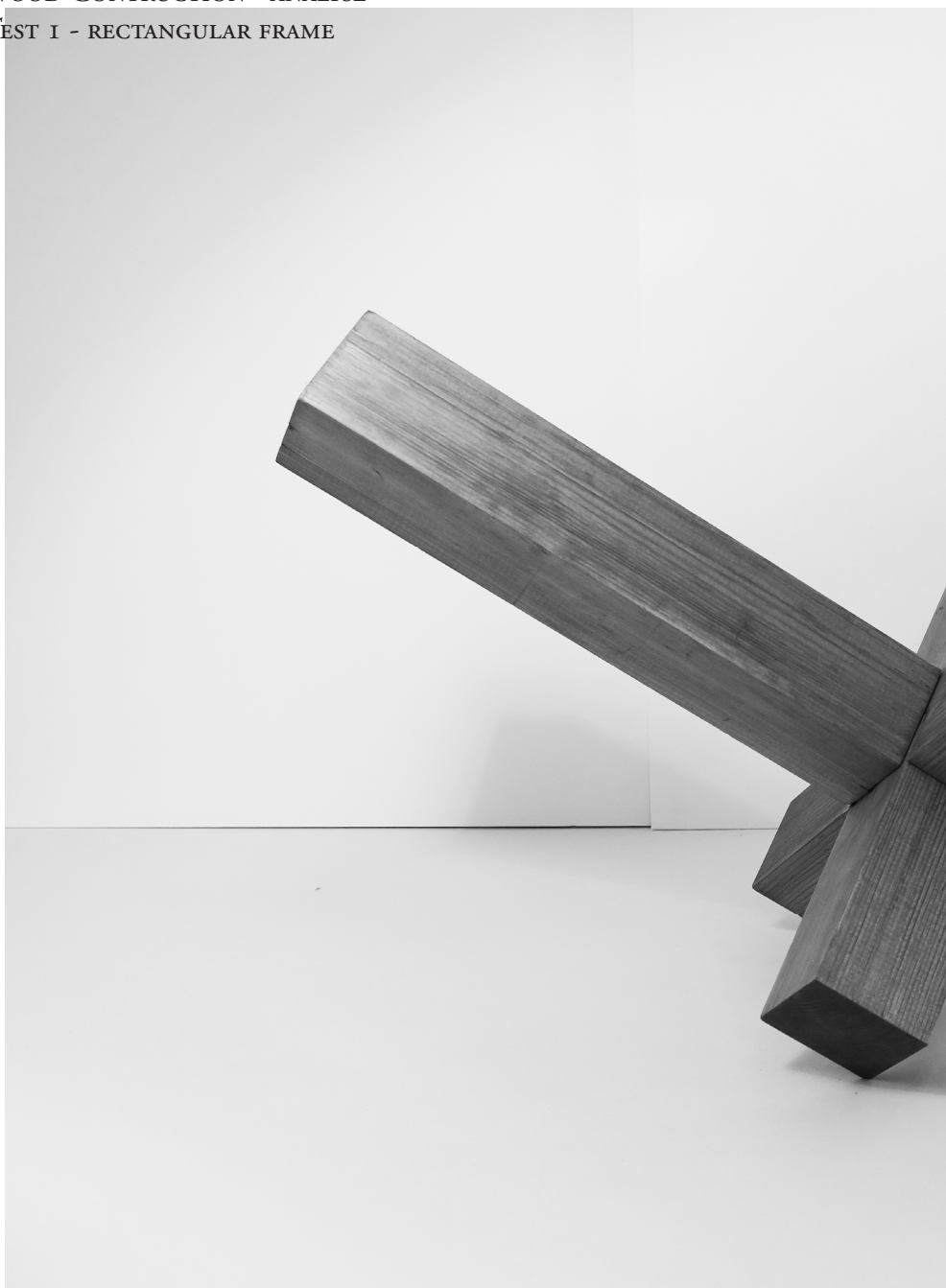








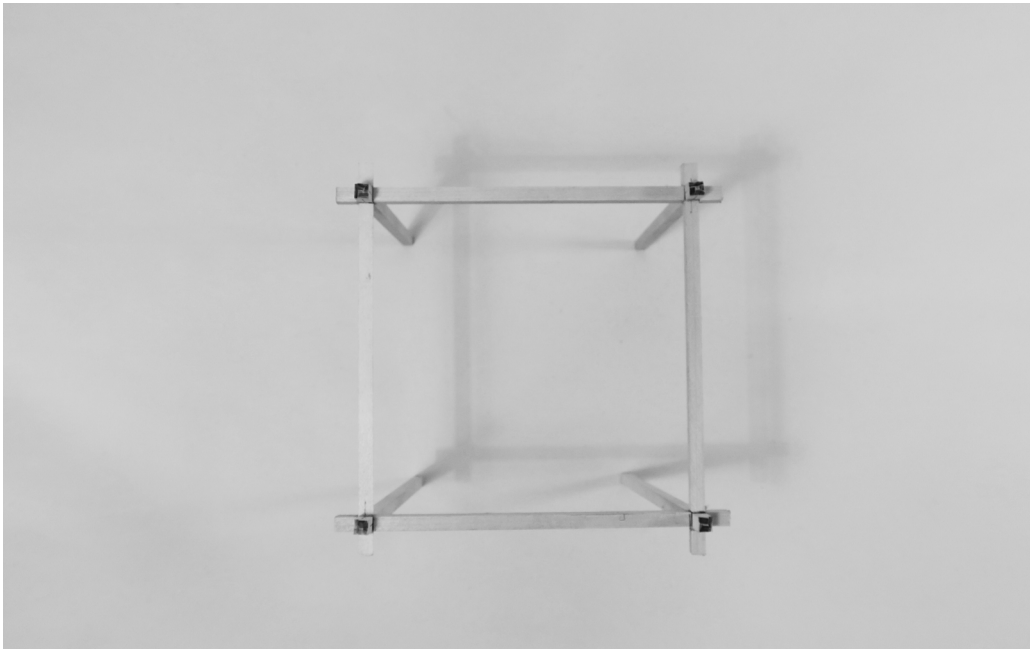
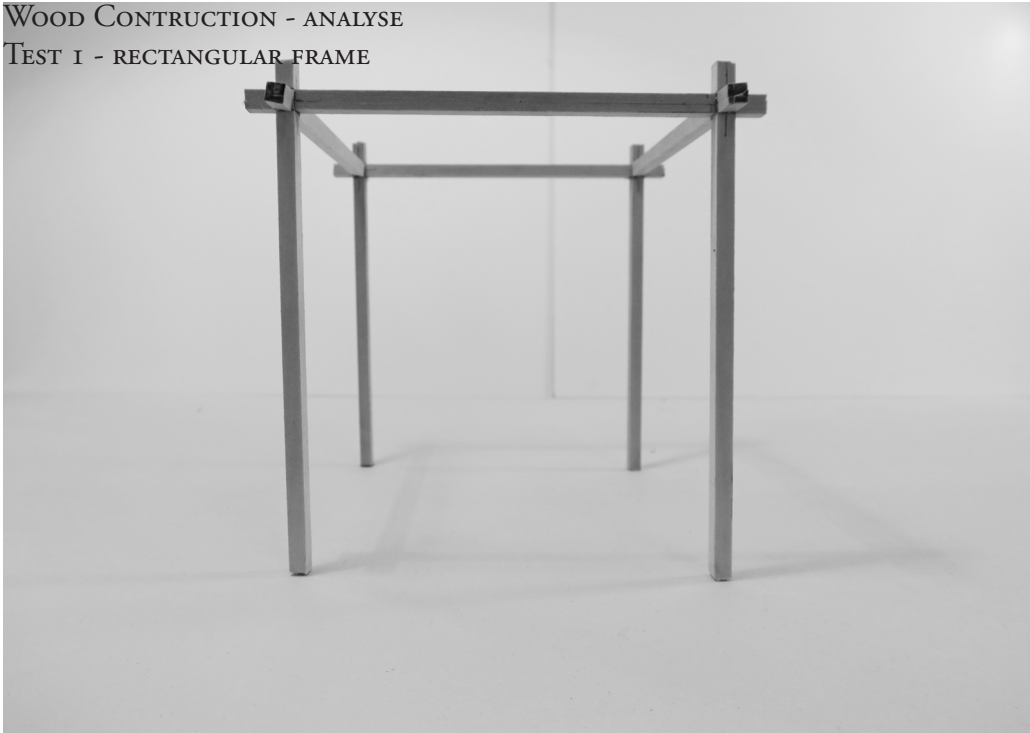
WOOD CONTRUCTION - ANALYSE
TEST I - RECTANGULAR FRAME





WOOD CONSTRUCTION - ANALYSE

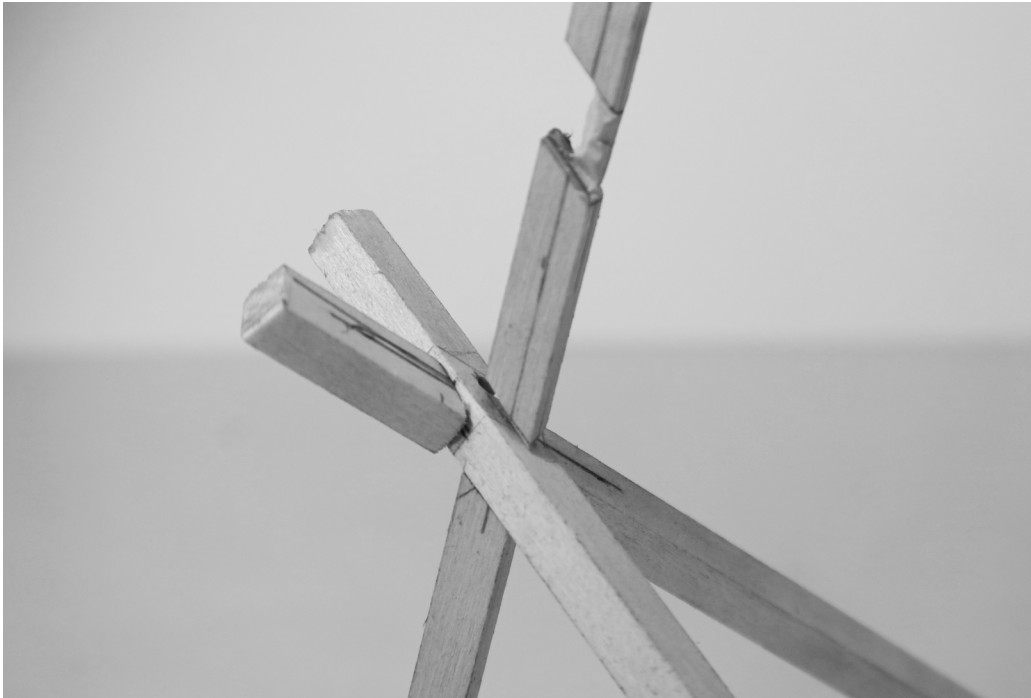
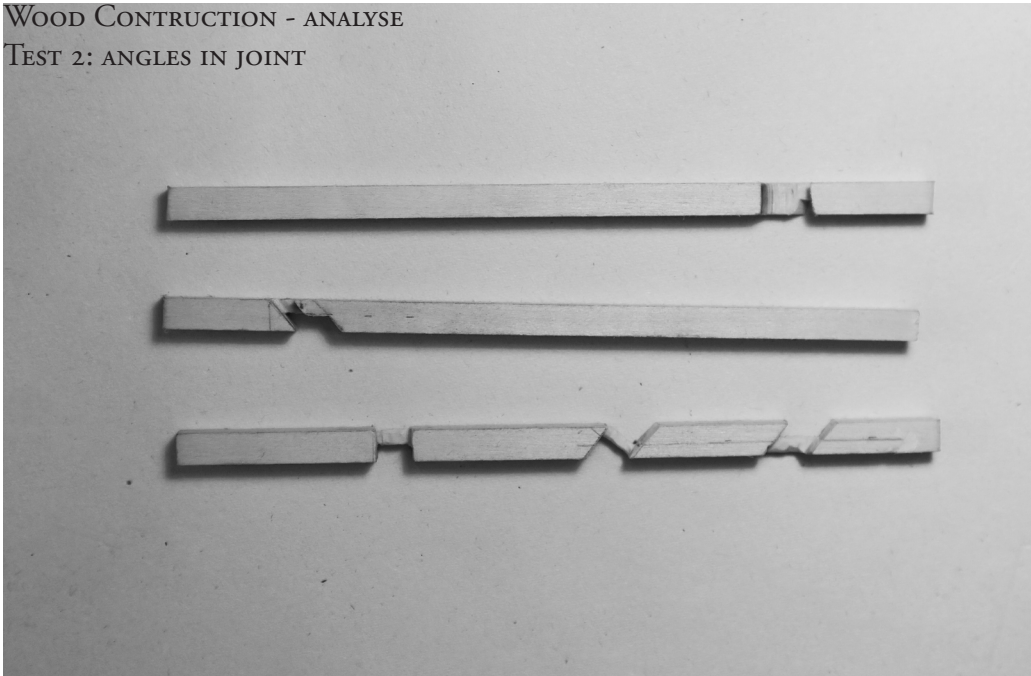
TEST I - RECTANGULAR FRAME

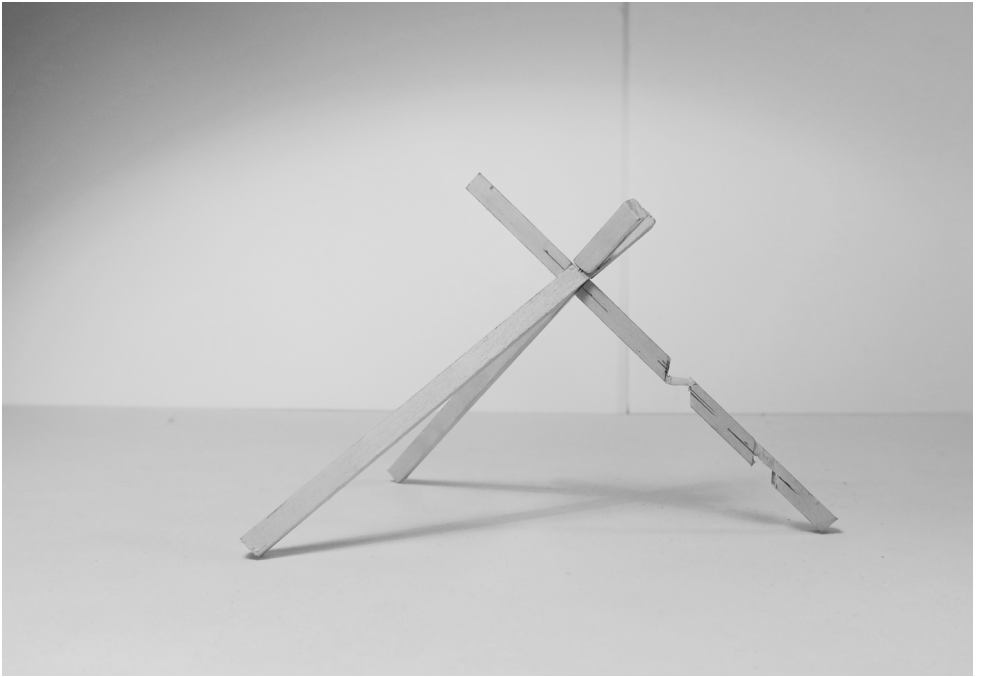


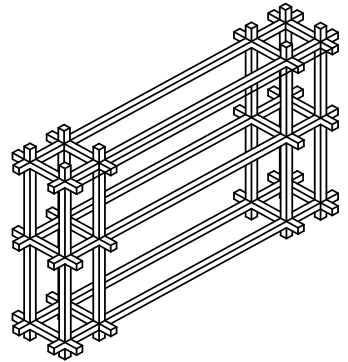
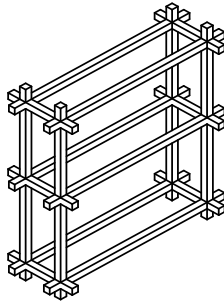
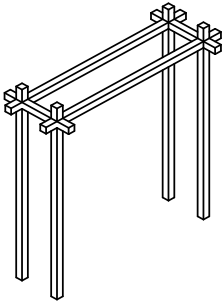
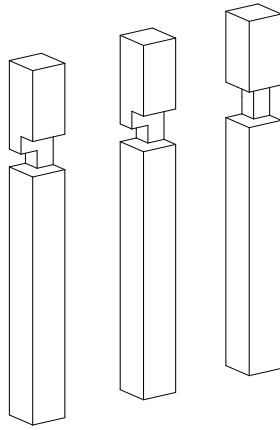


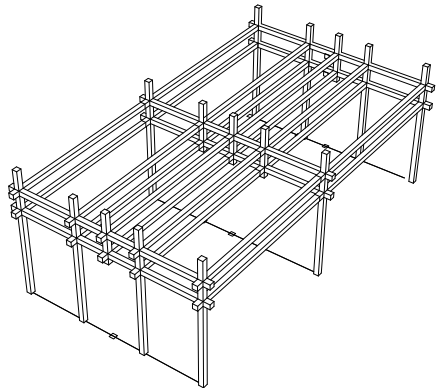
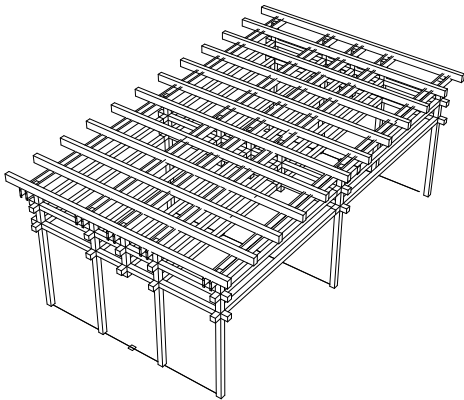
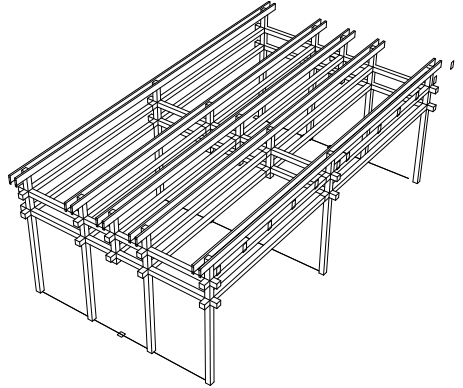
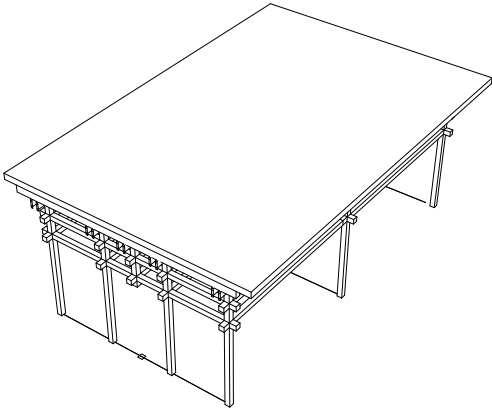
WOOD CONSTRUCTION - ANALYSE

TEST 2: ANGLES IN JOINT

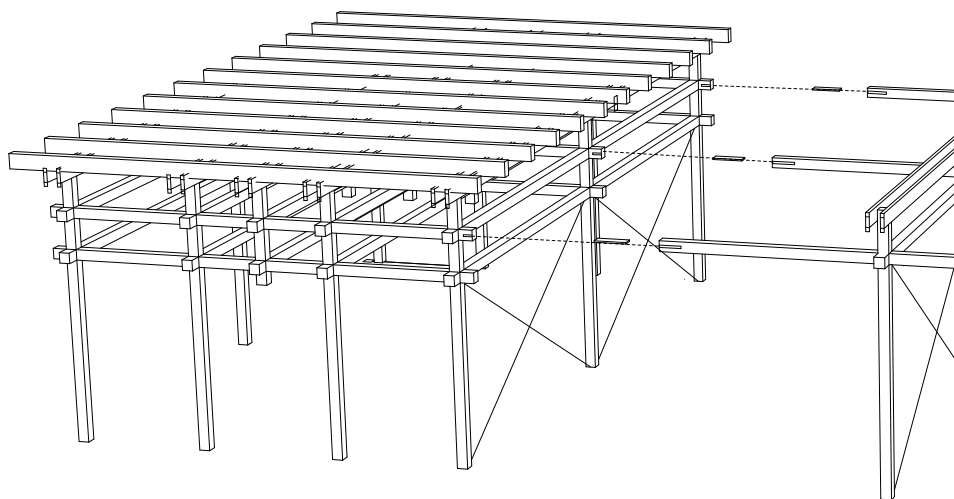


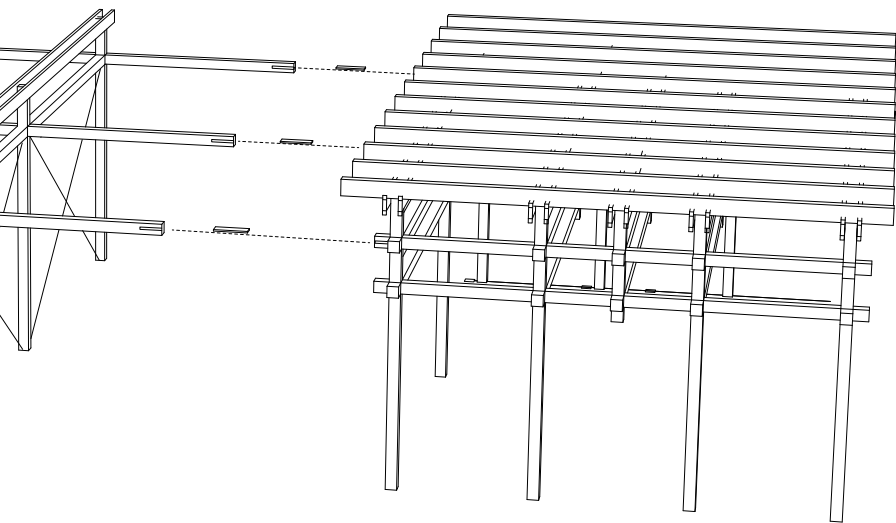


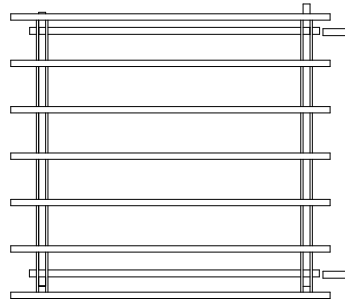
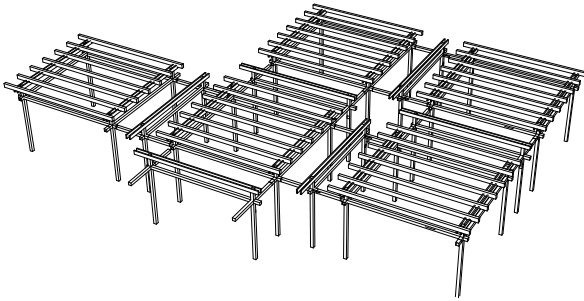
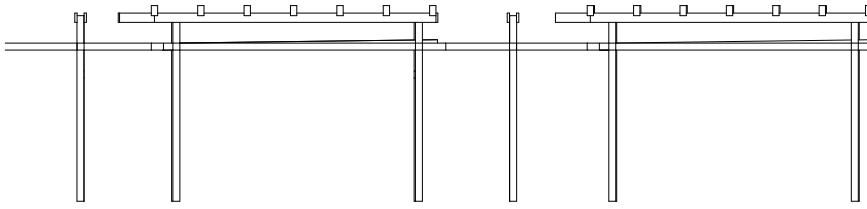
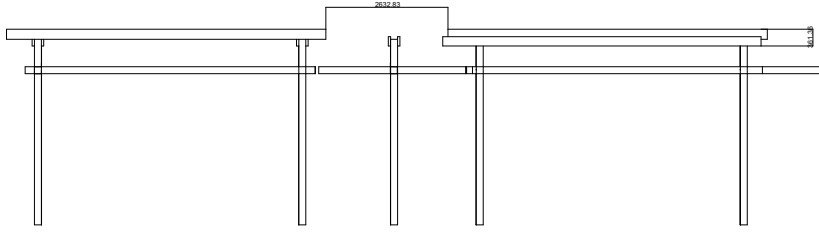


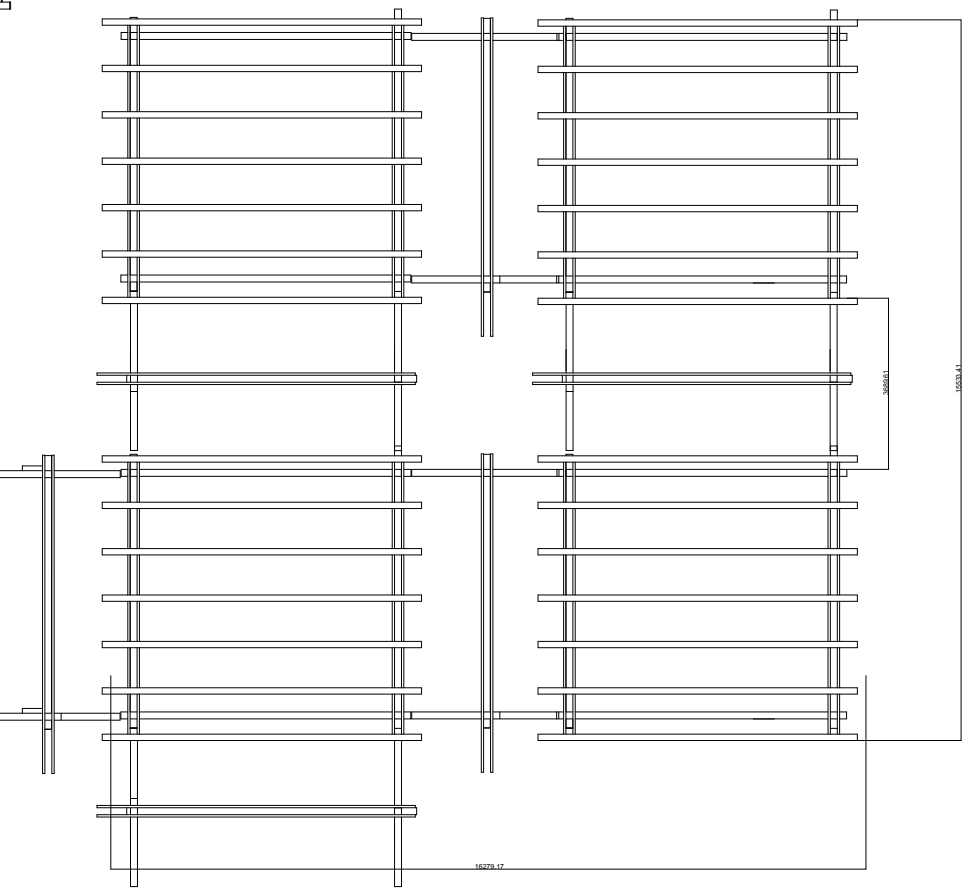


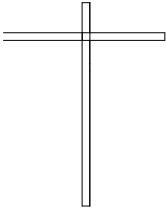
Konstruksjonsprinsipp
160420
(1:100)



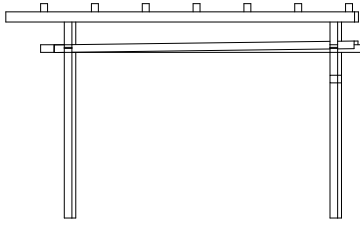




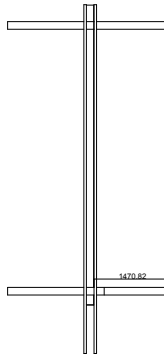
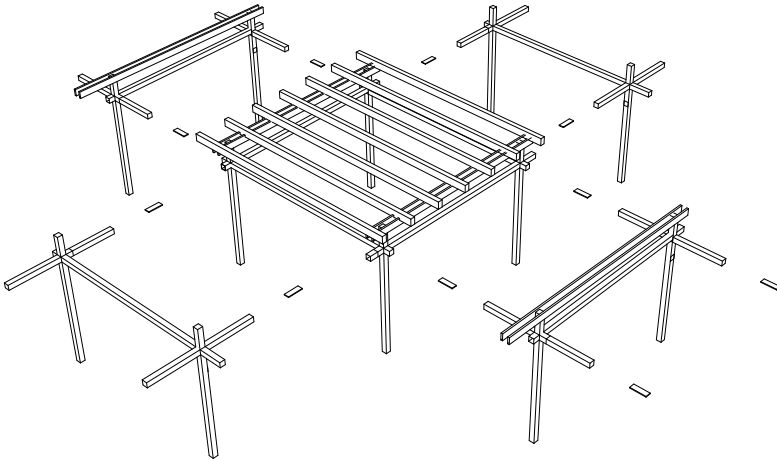
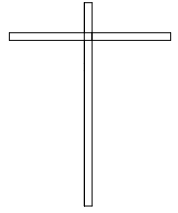




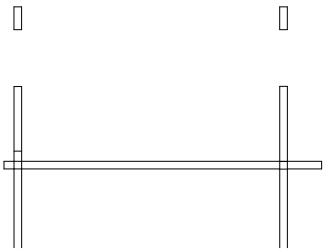
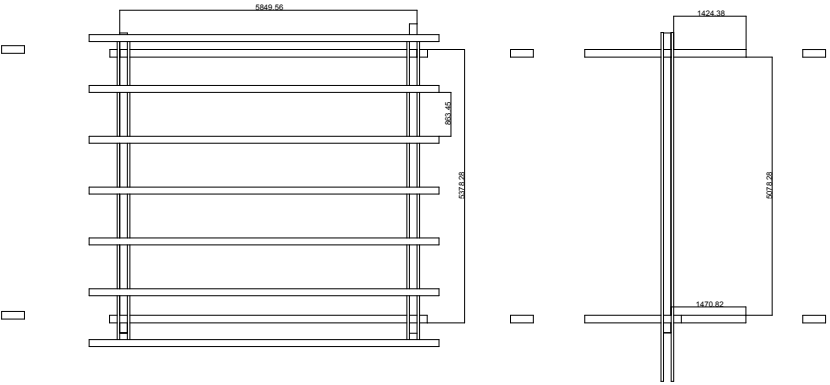
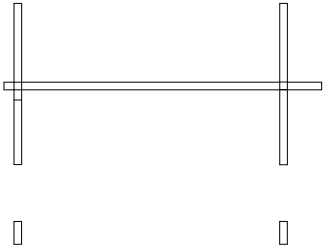
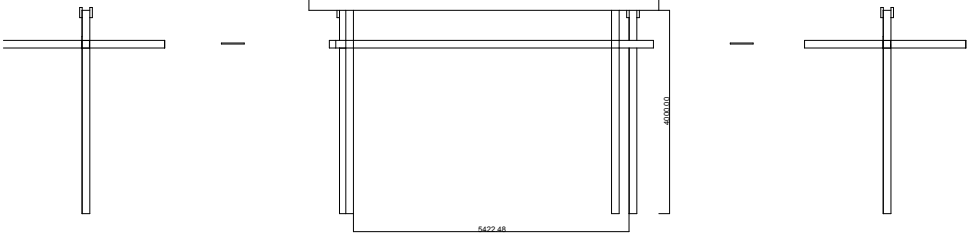
—

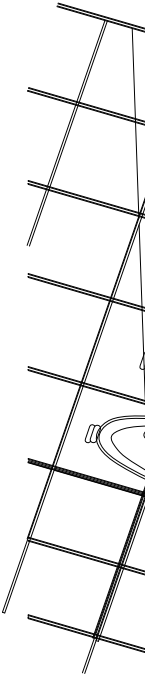
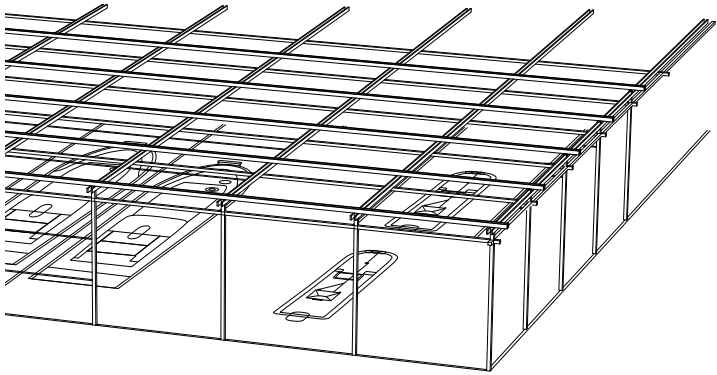
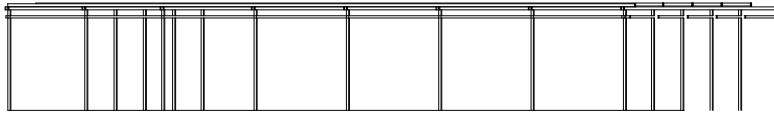


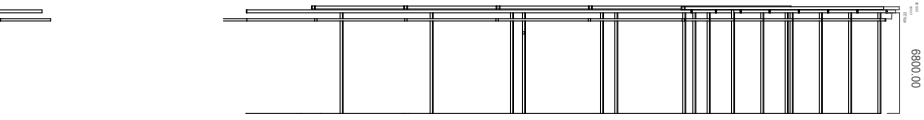
—



1470.82







00'0089

